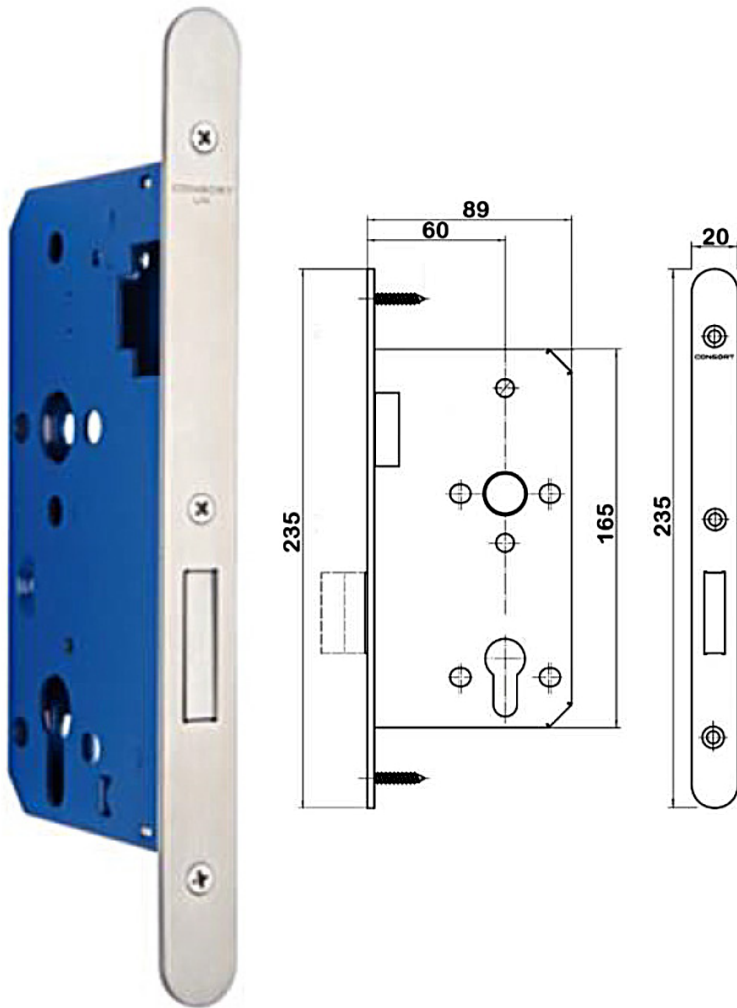


Ahmarra Ironmongery

Heavy Duty Dead Lock



PRODUCT SPECIFICATIONS

- Suitable for timber or steel door applications
- Grade 304 stainless steel double forend, strike plate and deadbolt
- Forends available in square and radius corner
- Suitable for unsprung lever handle
- Double throw deadbolting
- Tested to BS EN 12209:2003
- Classification Code 3.X.8.1.0.G.2.B.A.0.0
- CE marked

FIRE TESTING

- Suitable for use on up to FD60 timber and FD120 metal door and frame applications
- Fire tested to BS EN 1634-1
- Fire Door Approved: CERTIFIRE Warrington Certificate of Approval No. CF6053



Code	Product	Finish
AHM-CH7282F-SSS	AHM Heavy Duty Dead Lock with Square Forend	Grade 304, Satin Stainless Steel
AHM-CH7282F-MSS	AHM Heavy Duty Dead Lock with Square Forend	Mirror Polished Stainless Steel
AHM-CH7282F-SVB	AHM Heavy Duty Dead Lock with Square Forend	Satin PVD Black
AHM-CH7282F-SVG	AHM Heavy Duty Dead Lock with Square Forend	Satin PVD Gold
AHM-CH7282F-SVZ	AHM Heavy Duty Dead Lock with Square Forend	Satin PVD Bronze

Code	Product	Finish
AHM-CH7282FR-SSS	AHM Heavy Duty Dead Lock with Radius Forend	Grade 304, Satin Stainless Steel
AHM-CH7282FR-MSS	AHM Heavy Duty Dead Lock with Radius Forend	Mirror Polished Stainless Steel
AHM-CH7282FR-SVB	AHM Heavy Duty Dead Lock with Radius Forend	Satin PVD Black
AHM-CH7282FR-SVG	AHM Heavy Duty Dead Lock with Radius Forend	Satin PVD Gold
AHM-CH7282FR-SVZ	AHM Heavy Duty Dead Lock with Radius Forend	Satin PVD Bronze

t 02392 389 076

e sales@ahmarra.co.uk

w www.ahmarra.co.uk

ahmarra