

ahmarra

Fire Door Manufacture & Installation

AhmGuard Finger Protection Installation Guide

Version 1.2 | 12-11-2025



AhmGuard®



AhmGuard Installation Guide

Fitting Instructions

Please read these instructions carefully before installing and using the device. The protective function and any possible guarantee of the device might be affected if you do not follow the instructions. Pass the instructions to the end-user for future reference. These instructions are to be read in conjunction with our Fire Door Installation and Maintenance Guide, as the guide has information on storage, wall construction, maintenance etc.

Step 1: As per BS 8214:2008, and utilising ASDMA's Best Practice Guide for Timber Fire Doors, the frame assembly must be installed within the structural opening.

Take care to ensure jambs are fitting straight and plumb, as this will impact the effectiveness of the anti-finger trapping gap between the door and frame.

Step 2: With the bottom pivot (L-bracket) already fitted within the jamb, use the screws supplied to fix the bottom of the L-bracket in place to, or within, the floor.

IMPORTANT: Extreme care should be taken to affix the L-bracket correctly as this will influence the anti-finger trap area between the door and frame. We supply this as standard based on the bottom pivot L-bracket being fitted on top of the floor, but recommend the adjustments are made to rebate this into the floor to eliminate any minor trip hazards and create a seamless finish.

Step 3: Determine the desired gap at the threshold, before then setting the height of the pivot bearing accordingly.

IMPORTANT: Ensure the thread of the pivot bearing is thoroughly engaged with the threaded boss of the bottom pivot. After height adjustment, securely tighten the locking nut against the thread. This will require a flat bladed screwdriver and spanner.

Extreme care is required when lifting the door and locating the spare strap onto the pivot bearing. The pivot bearing height has to be adjusted with the door off. Use the strap to determine the height.

Step 4: If fitted, remove and store the top adjustable pivot cover plate, checking that the pivot pin is fully retracted and central.

DO NOT OPERATE THE ADJUSTMENT SCREWS WITH POWER TOOLS

Step 5: Heavy lifting: It is recommended to follow HSE guidelines when lifting. With the door in a 90° open position and tilted slightly, lift the door and carefully locate the socket within the bottom strap and gently lower onto the pivot bearing. When this has been located, raise the door to align the retracted top centre pivot pin with the top strap bearing. Extend the pivot pin to locate it in the bearing.

IMPORTANT: Ensure the pin is fully extended and securely located in the top strap. Look for the markers which indicate full extension - these should be visible when the pin is fully down.

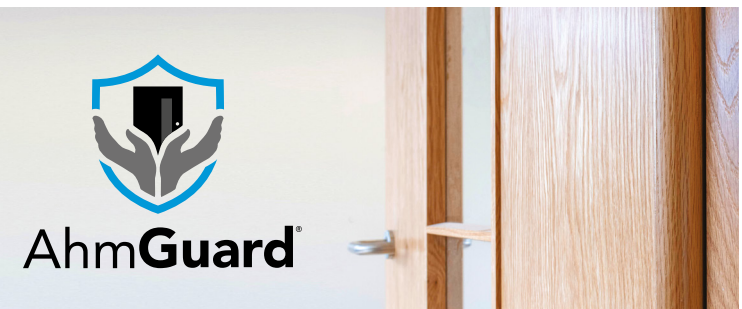
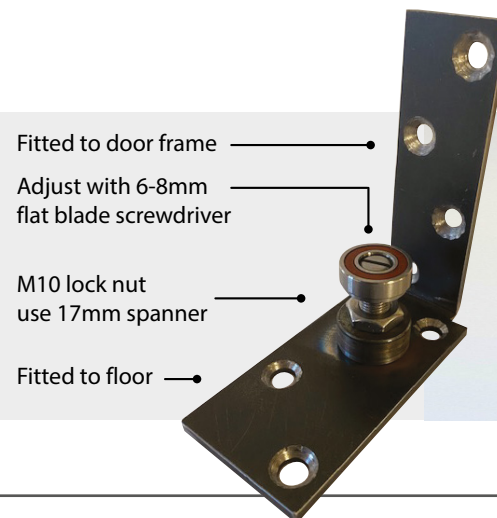
Step 6: If the door height needs to be adjusted to accommodate flooring, or to achieve a correct fit of the door, remove the leaf from the frame and repeat steps 3 to 5.

IMPORTANT: We do not recommend making adjustments to the door height unless necessary. Check with our team the limit you can take off, while still complying with the fire certification.

Step 7: If The hanging edge must only have a gap of 3-4mm, to ensure the performance of the AhmGuard doorset. 4mm should not be exceeded to ensure compliance with fire certification. Adjust the top pivot left/right until this dimension is achieved for the top and full height of the door. Check that the gap is consistent.

Step 8: Check that the perimeter gap sizes are correct and ensure that the door swings freely, with no interruption with the frame. Take care to make sure there is no excess rubbing on the hanging side. Adjust as required. Finally, fix the cover plate into position, over the top adjustable pivot when complete.

MAINTENANCE: If any part is damaged, worn or missing, contact Ahmarra for guidance on 02392 389 076.



AhmGuard Installation Guide

Doorset Details: Undercut and Floor Pivot Adjustment

Floor Pivot Adjustment

As mentioned in the installation instructions on the previous page, the bearing slots into the strap cup as illustrated.

This bearing can be adjusted and secured using a locking nut (supplied). The bolt is able to give an adjustment in height of 12mm, to help the door achieve its desired undercut, dependent on the floor type.

If the floor pivot is surface fitted (standard), the undercut adjustability range is 7-19mm. If the floor pivot is recessed into the floor, the undercut adjustability range is 3-15mm.

To maintain fire resistance integrity, the maximum undercut must be no more than 10mm. To maintain smoke control, the maximum undercut 3mm without a dropseal and 10mm with a face-fitted dropseal.

This adjustment can be done using a 6-8mm flat bladed screwdriver and 17mm spanner.

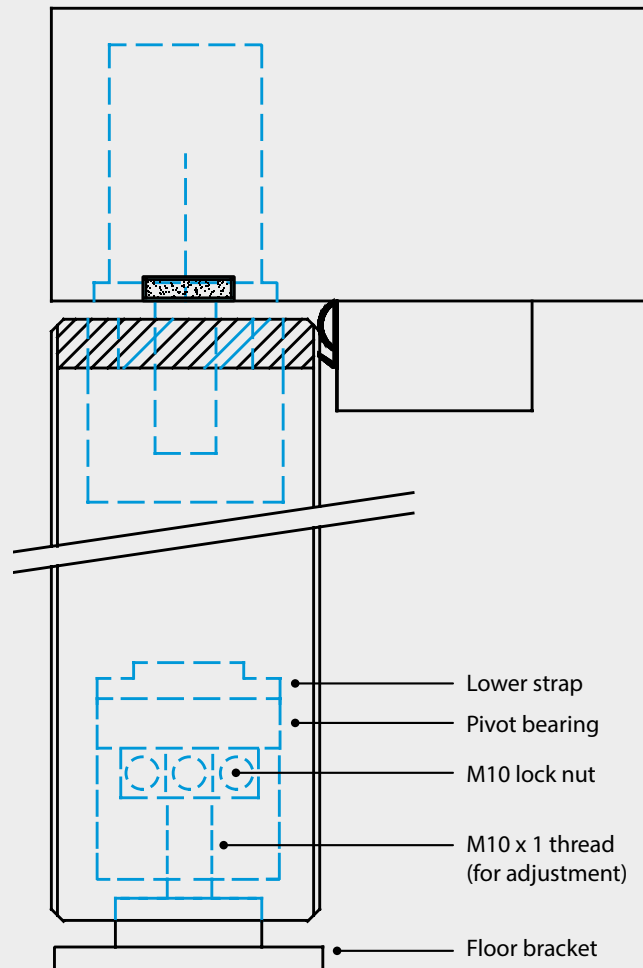
Smoke Controlled

If your AhmGuard doorset was supplied as a smoke controlled product, it will have been supplied with an automatic drop seal.

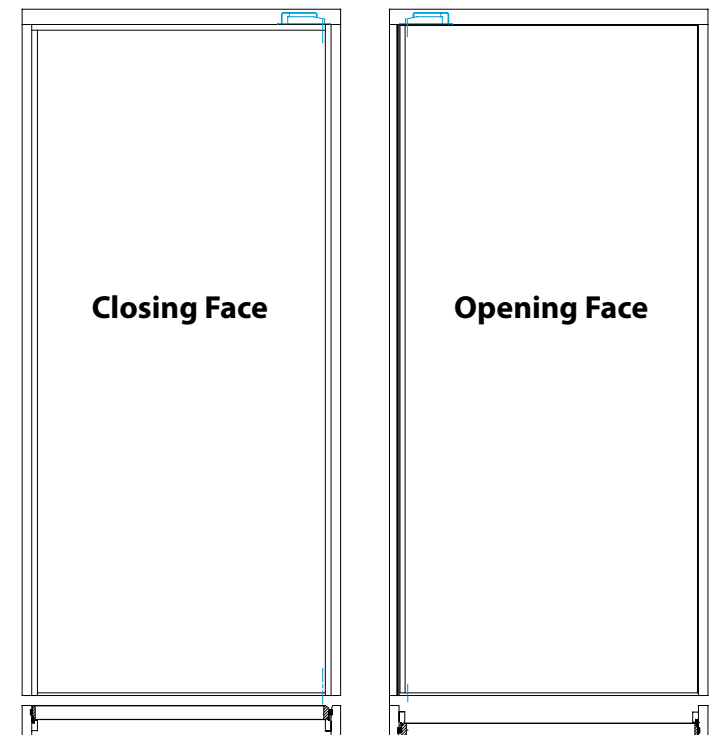
Use a screwdriver in the end of the drop seal to ensure it is adjusted correctly, so that the seal achieves even contact with the floor when door closes.

The flooring notes in the following section should be regarded as guidelines. The exact design and configuration of flooring is not the responsibility of Ahmarra Door Solutions.

Our machining is based on our standard, the floor pivot surface fitted on the floor, and the jambs also fitted on top of the finished floor. If not adjustments may be needed.



To save time, prevent possible damage to the pivot bearing assembly and to eliminate some heavy lifting, use the spare strap (supplied) and fit onto the bearing. Use this to determine and pre-set the height and check the required undercut of the door. This should eliminate the need to take the door off again.



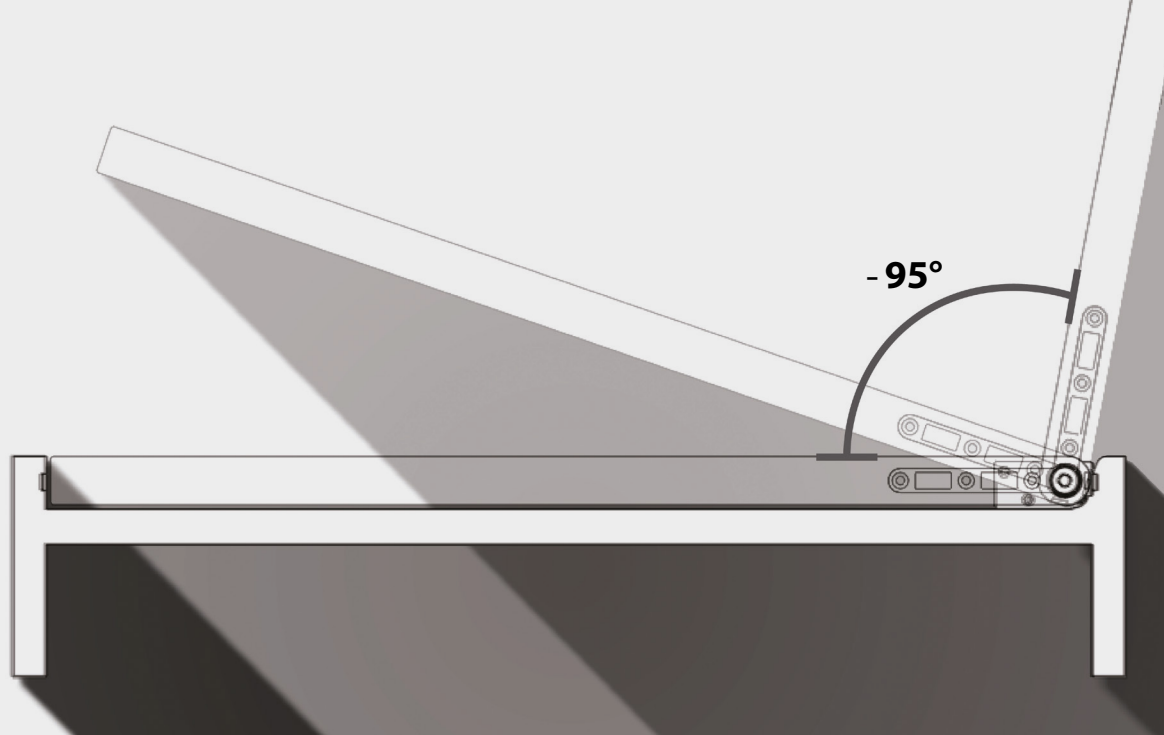
AhmGuard Installation Guide

Doorset Details: Opening Angle Limits

Pivot doors have a maximum opening angle, beyond which they will “bind” on the door frame. It is paramount that measures are taken to prevent binding from occurring. You must use a method to restrict the opening of the door, such as a floor/wall mounted door stop to prevent binding of the frame. The floor stop is to be positioned a minimum of three-quarters of the width of the door away from the jamb.

The maximum opening angle is 95°.

WARNING: Door binding on the frame exerts extreme force on the door, frame and ironmongery, and may lead to damage/failure. A door closer with back check improves the situation, but should not be used in place of a door stop or limiter stay.



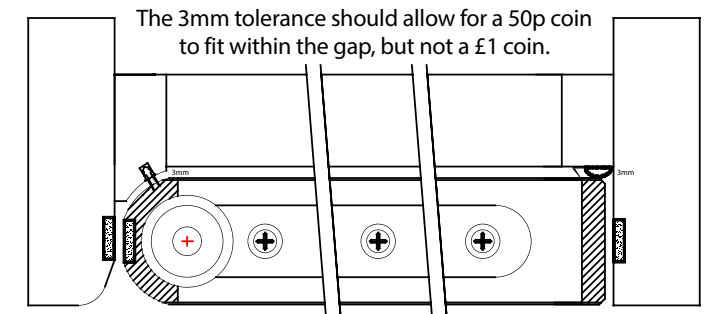
Typical AhmGuard FD30 with Door Closed

Please ensure all intumescent has been fitted onto the doorset and frame, including the frame head.

Check that your smoke and acoustic seal have been properly fitted into the frame.

Where fire rated, ensure the intumescent to the ironmongery components have been fitted:

- Top and bottom pivot strap in the door.
- Top pivot in frame head.
- Bottom L-bracket at the bottom of the jamb.



To view our full Fire Door Installation & Maintenance Guidance, visit;
<https://ahmarra.co.uk/installation-instructions/>

Or scan the QR code below.





ahmarra
Fire Door Manufacture & Installation

T 02392 389 076
E sales@ahmarra.co.uk
W www.ahmarra.co.uk

Unit 2 Hermitage Park,
Harts Farm Way, Havant,
Hampshire PO9 1FA