



QUICK SERVICE DOOR RANGE

Version 1.5 | 07-05-2026

Timber
Fire Door
Manufacture



Fire Door
Installation





RATIONALISED DOORSETS DESIGNED FOR FAST-TRACK PROJECTS

With a maximum lead time of just four weeks from order confirmation to site delivery, Ahmarra's Quick Service Door (QSD) range is perfectly suited to refurbishment projects, fire safety upgrade schemes, and schools requiring 10 to 100 doorsets.

Manufacturing bespoke construction products can often be complex and time-consuming - particularly when fire certification is involved. Our Q-Mark certified QSD range addresses this by reducing complexity at every stage.

By simplifying design options, optimising the ordering process, and using readily available materials held in stock, Ahmarra supports you to meet the demands of fast-track projects without compromising on quality or compliance.

WHY SHOULD YOU CHOOSE AHMARRA?

QUALITY We use the finest materials, cutting edge technology and traditional craftsmanship to guarantee exceptional standards.

GREEN Ahmarra care about the environment, as such, we are FSC® certified (FSC C018847) and hold ISO 14001 certification for our environmental practices. Our wood waste is converted into heat for our production facility in our biomass boiler. Our local forest planting scheme has meant thousands of plants and trees have been planted as a result of our donations.

BRITISH Made in Britain to the highest quality standards, we are proud to fly the flag for UK manufacturing.

YOUR DOORSET WILL INCLUDE:

- Pre-hung doorset
Single doors will arrive fitted on its hinges and perfectly fitted into its frame.
Double doors will arrive with frame assembled but doors removed for manual handling purposes (unless door only ordered)
- Architrave and stops supplied loose
- Hinges, intumescent, drop seals (if acoustic or smoke controlled door) fitted at works
- Doors can also be supplied and morticed only for one of our lock cases, or flush bolts on double doors (if required)
- Plugged to confirm [Q-Mark Timber Fire Door Manufacture](#) scheme certification
- Palletised and express delivered to your project
- Full set of installation instructions
- Ironmongery is not included (other than our tested hinges), but can be supplied separately upon request

BM TRADA Q-MARK CERTIFICATION

The Importance of Fire Doors and Third Party Certification

Fire doors save lives and protect property, so it is vital that they are manufactured and installed correctly, or their fire-resistance can be seriously compromised. Third party certification provides an additional level of assurance of both the level and consistency of performance.

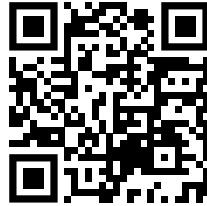
Q-Mark Timber Fire Door Manufacturer Scheme

Ahmarra are proud to be certified members of this comprehensive third party certification scheme. Q-Mark has been designed to allow fire door manufacturers to demonstrate that their doors meet the standards required, and to provide ongoing reassurance that their product is fit for purpose. Performance, and production are regularly checked through audit testing and inspections.



QUOTE ENQUIRY

For a fast-track quotation, please [click here](#) or scan the QR code to complete our online form. Alternatively, send this completed pdf form to sales@ahmarra.co.uk.



Contact Name:	Tel No:	Project:
Company Name:	Email:	
Delivery Address:		



DOORSET (DOOR PRE-HUNG IN FRAME)

Doorset Ref.	1 Doorset Configuration	2 Fire Rating	3 Acoustic Rating	4 Facing/Finish	5 Vision Panel	6 Structural Opening Height (mm)	6 Structural Opening Width (mm)	6 Frame Depth (mm)	6 Architrave (mm)	7 Hinges	8 Handing Ahmarra Convention	9 Lock	Quantity

DOOR ONLY

Door Ref.	1 Door Configuration	2 Fire Rating	3 Acoustic Rating	4 Facing/Finish	5 Vision Panel	6 Door Size Height (mm)	6 Door Size Width (mm)	Quantity

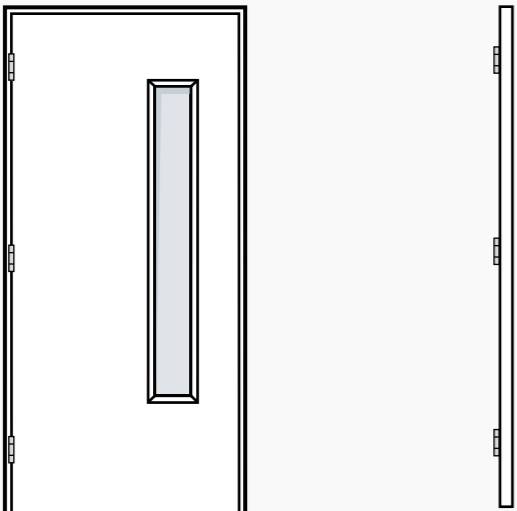
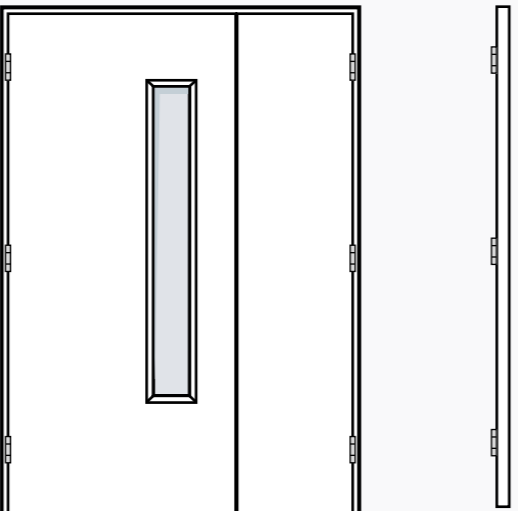
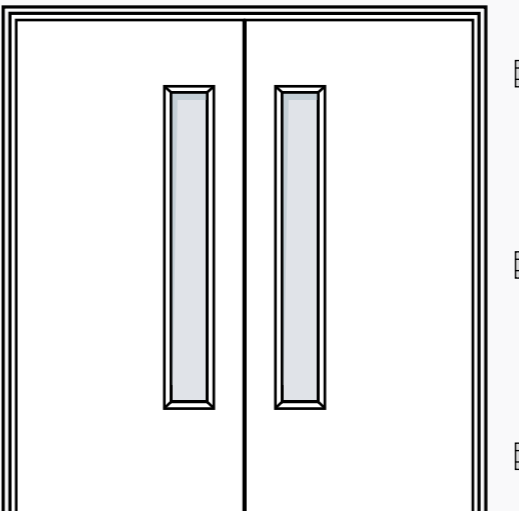
ORDER PROCESS

Our lead-time is a maximum of **4 weeks** from the point that your order is confirmed and payment made, to delivery at your project's site.



QUICK SERVICE DOOR CONFIGURATIONS

Select the most appropriate door configuration for each structural opening.

SINGLE DOOR	UNEQUAL PAIR OF DOORS	DOUBLE DOORS
		
<p>Fire & Smoke Rating</p> <p>NFR FD 30s FD 60s</p> <p>Acoustic Rating Rw(dB)*</p> <p>NR 30 35</p> <p>Specification</p> <p>Configuration: Single Vision Panel: Yes/No</p> <p>Technical Details</p> <p>Door Core: SevereCore™</p>	<p>Fire & Smoke Rating</p> <p>NFR FD 30s FD 60s</p> <p>Acoustic Rating Rw(dB)*</p> <p>NR 30 35</p> <p>Specification</p> <p>Configuration: Unequal Pair Vision Panel: Yes/No</p> <p>Technical Details</p> <p>Door Core: SevereCore™</p>	<p>Fire & Smoke Rating</p> <p>NFR FD 30s FD 60s</p> <p>Acoustic Rating Rw(dB)*</p> <p>NR 30 35</p> <p>Specification</p> <p>Configuration: Double Vision Panel: Yes/No</p> <p>Technical Details</p> <p>Door Core: SevereCore™</p>



ITEM 1: DOOR CONFIGURATION

SINGLE	UNEQUAL PAIR	EQUAL PAIR
S	U	E

ITEM 2: FIRE RATING

NON-FIRE RATED	FD30s FIRE & SMOKE RATED	FD60s FIRE & SMOKE RATED
NFR	FD30s	FD60s

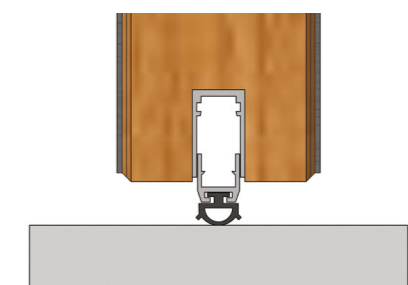
Ensure each door has the correct fire and smoke rating associated, NFR, FD30s or FD60s. This should be derived from the building's fire strategy, by a professional. When doors only are ordered intumescent is not supplied, machined or fitted by Ahmarra.

ITEM 3: ACOUSTIC RATING

NON-ACOUSTIC RATED	30 RwdB	35 RwdB
NR	30	35

If noise reduction is required, please select the appropriate acoustic rating.

All acoustically attenuated or smoke controlled doors will be fitted with an automatic drop seal as illustrated below. All doors will come with a 7mm undercut.



The pre-primed eco veneer paper has been designed as a time saving initiative for paint grade doors and is ideal for concealing any lippings ensuring a smoother finish.

FACINGS & FINISHES

Doors can either be factory finished with high pressure laminate selected from the options below, or with pre-primed eco veneer suitable for on-site painting. Frames will be primed.

ITEM 4: HIGH PRESSURE LAMINATE

Benefits

- Highly resistant surface (impact, abrasion, stains, chemicals)
- Non-porous surface: easy to clean and resistant to disinfection protocols
- Volatile organic compounds (VOCs): Greenguard Gold Certified
- Suitable for high-traffic public environments



Available in 24 colour options, all laminates are held in stock as part of our standard range:

ALPINE WHITE 22161 RAL 9010 LRV 86.9	MARIGOLD 21057 RAL 090 80 70 LRV 64.6	TROPICAL BLUE 22062 RAL 190 60 20 LRV 24.9	LIGHT LINEAR WOOD 13096 LRV 37.2
SILVER GREY 21069 RAL 7047 LRV 56.9	LUSTRE BLUE 22192 RAL 230 80 20 LRV 53.0	CARDINAL RED 21065 RAL 030 40 60 LRV 16.9	LAUREL OAK WIND 14641 LRV 30.3
DOVE GREY 22079 RAL 7004 LRV 36.3	SAFFRON 21024 RAL 060 60 80 LRV 50.6	INK 21032 RAL 260 40 45 LRV 16.1	CLASSIC OAK 13093 LRV 29.7
STORMY 21329 RAL 7015 LRV 14.4	GRASSY 22143 RAL 120 70 50 LRV 41.3	FOREST GREEN 22293 RAL 160 40 15 LRV 13.4	LAUREL OAK WHIRL 14644 LRV 29.3
FOLK GREY 21129 RAL 7035 LRV 9.8	SAGA GREEN 22153 RAL 180 80 10 LRV 40.5	MIDNIGHT BLUE 21022 RAL 270 20 15 LRV 6.9	TWILIGHT ASHWOOD 14663 LRV 17.4
PEARL BLACK 22109 RAL 7024 LRV 9.8	SEA JADE 21303 RAL 180 60 05 LRV 30.4	BLACK 21066 RAL 000 30 00 LRV 5.5	DARK LINEAR WOOD 13097 LRV 8.9

ITEM 4: PRIMED ECO-VENEER

Ready primed eco-veneer suitable for on-site painting.

Benefits

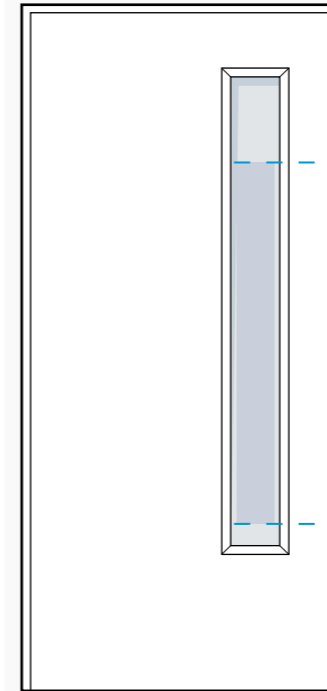
- Economic
- Surface damage can easily be fixed on-site
- Can be painted on-site to match the project's design scheme



VISION PANEL

Standard vision panel style details compliant to BS 8300:2009.

VP01 Single narrow vision panel



Vision panels allow users of the building to view what is on the other side of the door and are an important safety feature, vital in preventing injury resulting from collision with opening doors.

BS 8300:2009
MINIMUM ZONE OF VISIBILITY

Fire & Smoke Ratings



Technical Details

Aperture Width 200 mm
Aperture Height 1400 mm

ITEM 5: VISION PANEL

Choose whether you would like your doors to feature a vision panel.

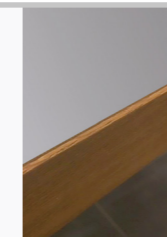
NO APERTURE	STANDARD VISION PANEL
None	VP01

LIPPINGS & GLAZING BEADS

Lippings

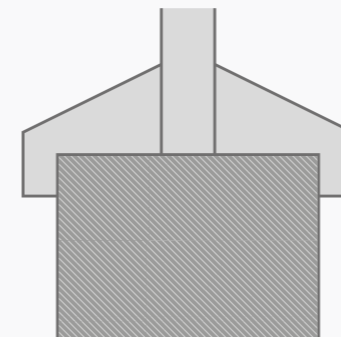
All doors from Ahmarra are lipped all around.

Laminate faced doors will be lipped in American White Oak (semi-concealed as shown).



Bolection Bead

Hardwood bolection bead (cloak bead) will also be in American White Oak, where laminate, to match the lippings. Pin fixed.



FRAMES & ARCHITRAVE

LINING WITH PLANTED DOOR STOPS (LNG)

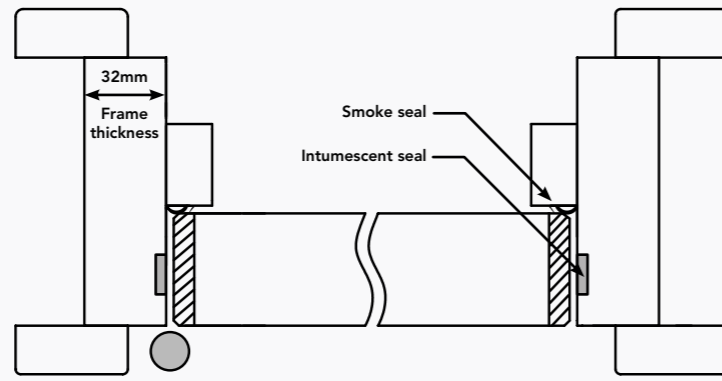
Our most popular frame type, suitable for most project types.

Frame finish is primed for on-site decoration.

Seals will always be white and can be painted over.

Technical Details

Min. Wall Depth	105 mm
Max. Wall Depth	250 mm
Fire Rating	NFR, FD30s, FD60s



FRAME MATERIALS

Primed Engineered Softwood (ESWD)

- Overall cost saving
- Natural timber defects eliminated
- Consistent material appearance
- Long term product stability

Density	>470Kg/M ³
Fire rating	NFR, FD30s
Finish	Primed for on-site painting



Primed Engineered Hardwood (EHWD)

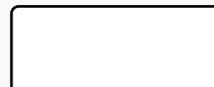
- Overall cost saving
- Natural timber defects eliminated
- Consistent material appearance
- Long term product stability

Density	>650 Kg/M ³
Fire rating	FD60s
Finish	Primed for on-site painting



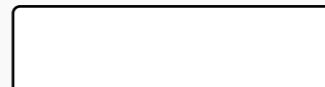
ARCHITRAVE

Standard (44 x 18 mm) EDARC1



Ahmarra's standard architrave profile is 44 x 18 mm with 3mm radiused edges.

Extended (69 x 18 mm) EDARC2



Extended architraves (69 mm wide) may be necessary for refurbishment projects where structural openings may be inconsistent. These also have 3mm radiused edges.

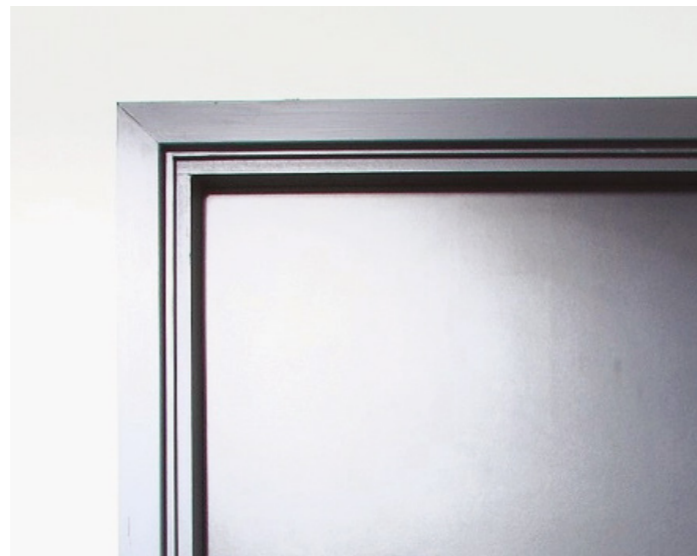
ITEM 6: SIZES

For doors only, enter the door height and width in millimetres. For doorsets (doors pre-hung in frame), enter the structural opening height and width, plus the partition depth in millimetres.

DOOR SIZES	DOORSET SIZES
DOOR HEIGHT x DOOR WIDTH	STRUCTURAL OPENING HEIGHT x STRUCTURAL OPENING WIDTH x FRAME DEPTH

ITEM 6: ARCHITRAVE

ARCHITRAVE SIZE OPTION 1	ARCHITRAVE SIZE OPTION 2	NONE
44mm	69mm	N/A



HINGES

In fire door applications, three hinges must be fitted to each door. Lift off hinge and butt hinge options are available.

Where door only, hinges can be supplied for on-site machining and fitting to align with existing frames.

ITEM 7: HINGE

LIFT OFF HINGES	BUTT HINGES	NONE
LO	BT	N/A



LIFT OFF HINGES

Class 11
Supplied and fitted by Ahmarra



BUTT HINGES

SSS Class 13
Supplied and fitted by Ahmarra

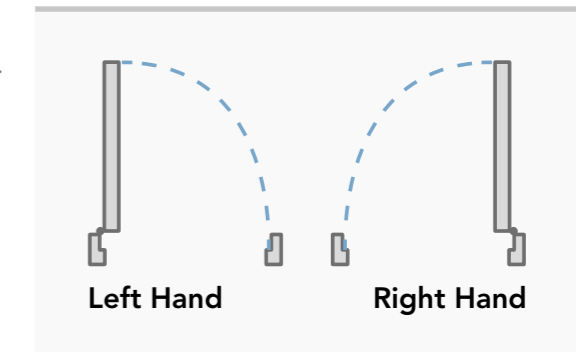
HANDING

Be sure to select the correct handing for each doorset.

Standing on the non-hinge side of the door (door opening away), if the door opens towards the right, then it is a right handed door. If the door opens towards the left, then it is a left handed door.

ITEM 8: HANDING

LEFT HAND	RIGHT HAND	NONE
LH	RH	N/A



LOCK & FLUSH BOLTS MORTICE

Ahmarra can mortice for our modular lock and flush bolts if required.

ITEM 9: LOCK & FLUSH BOLTS

LOCK MORTICED	FLUSH BOLTS RECESSED	LOCK & FLUSH BOLTS RECESSED	NONE
LM	FBR	L&FBR	N/A

Flush bolts will be edge mounted if required. Modular lock-body only will be factory morticed into the door edge and positioned so that when fitted on site, the lever handle sits at 900mm height.

Where door only, locks can be supplied for on-site machining and fitting.

SASHLOCK



FLUSH BOLT

2 x flush bolt recess





Based in Hampshire, Ahmarra have been manufacturing doors for over 30 years.

We are proud to fly the flag for British manufacturing and use traditional craftsmanship, cutting edge technology and the finest materials to guarantee exceptional standards.

